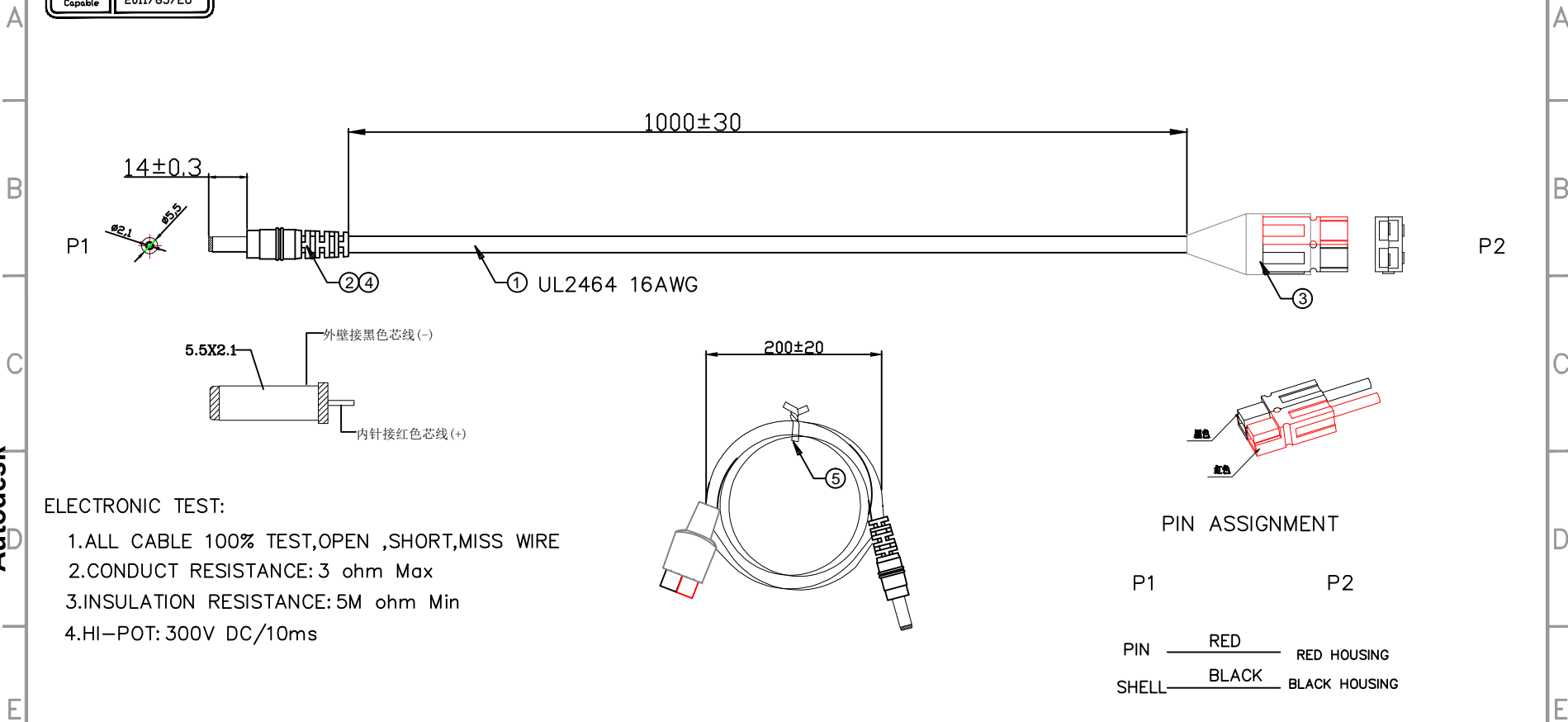
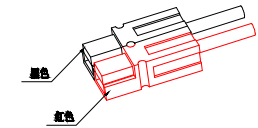
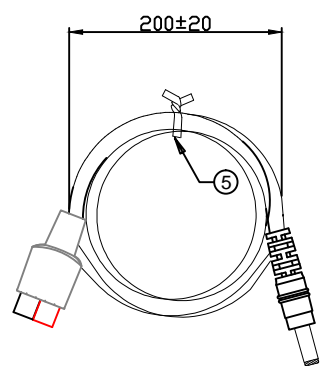




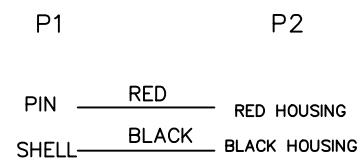
REV.	ECN. NO.	DESCRIPTION	APR.	DATE
1.0		FIRST RELEASE		2020.08.15



ELECTRONIC TEST:
 1. ALL CABLE 100% TEST, OPEN, SHORT, MISS WIRE
 2. CONDUCT RESISTANCE: 3 ohm Max
 3. INSULATION RESISTANCE: 5M ohm Min
 4. HI-POT: 300V DC/10ms



PIN ASSIGNMENT



NO.	Material	Specification	QTY	UNIT
5	TIE	MINI TIE BLACK	1	PCS
4	OVERMOLD	45P Black PVC	A/R	G
3	CONN	ANDERSON POWER 2P	1	SET
2	DC PLUG	DC PLUG 5.5*2.1, NICKEL Plated, Black Insulator	1	PCS
1	CABLE	UL2464 16AWG*2C PVC JACKET OD: 6.0±0.2MM	A/R	MM

TOLERANCE UNLESS OTHERWISE SPECIFIED		东莞鸿威精密电子有限公司 Dongguan Hongwei Electronics CO.,LTD	
.X± 0.35	X.*± 1.5*	APR.	TITLE: DC5521 TO DC5521 AND 2P CABLE UNITS: MM
.XX± 0.25	.X*± 1.0*	CHK.	DWG NO. R0260009 SHEET. 1/1
.XXX± 0.15	.XX*± 0.5*	DRA.	CUSTOMER DRAWING SCALE: NO SHEET REV. 1.0