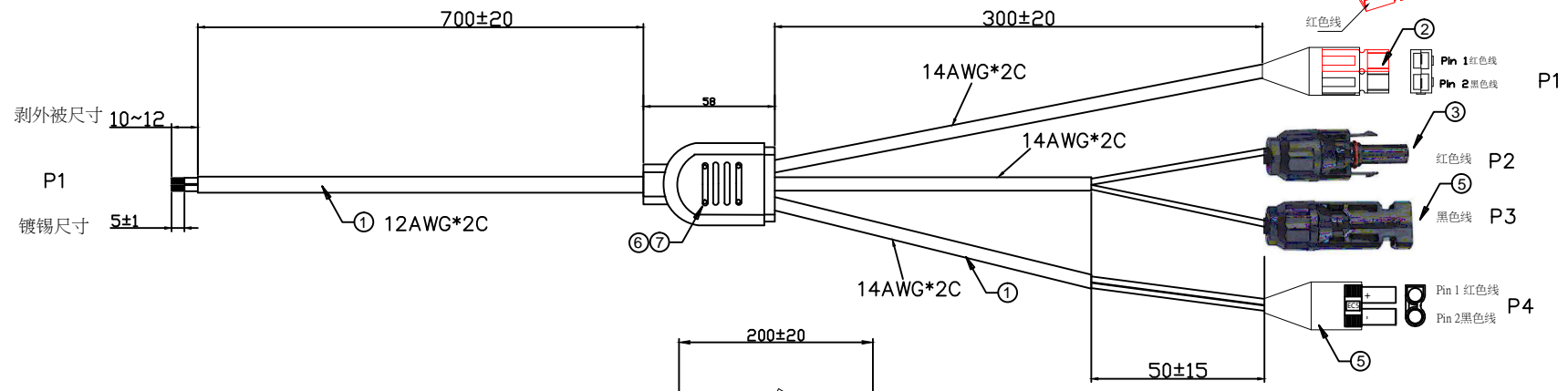
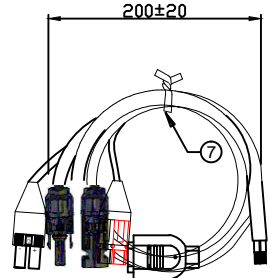


REV.	ECN. NO.	DESCRIPTION	APR.	DATE
1.0		FIRST RELEASE		2020.08.7

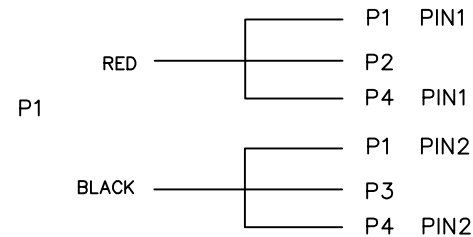


ELECTRONIC TEST:

- 1.ALL CABLE 100% TEST,OPEN ,SHORT,MISS WIRE
- 2.CONDUCT RESISTANCE: 3 ohm Max
- 3.INSULATION RESISTANCE: 5M ohm Min
- 4.HI-POT: 300V DC/10ms



PIN ASSIGNMENT



NO.	Material	Specification	QTY	UNIT
7	OVERMOLD	45P Black PVC	A/R	G
6	INNERMOLD	LDPE	A/R	G
5	CONN	EC5 Male Blue HOUSING+ 带护套	1	SET
4	MC4 FEMALE	TERMINAL NICKELPlated,Black 25A/16A,IP67	1	SET
3	MC4 MALE	TERMINAL NICKELPlated,Black 25A/16A,IP67	1	SET
2	CONN	ANDERSON POWER 2P	1	SET
1	CABLE	UL2464 14AWG*2C PVC JACKET OD: 7.5±0.2MM	A/R	MM
		UL2464 12AWG*2C PVC JACKET OD: 8.5±0.2MM	A/R	MM

TOLERANCE UNLESS OTHERWISE SPECIFIED		东莞鸿威精密电子有限公司 Dongguan Hongwei Electronics CO.,LTD		
.X± 0.35	X.± 1.5'	APR.	TITLE: ANDERSON*2+MC4+ EC5 TO OPNE	UNITS. MM
.XX± 0.25	.X'± 1.0'	CHK.	DWG NO. R026008	SHEET. 1 / 1
.XXX± 0.15	.XX'± 0.5'	DRA.	PROJ.	CUSTOMER DRAWING SCALE. NO SHEET REV.1.0

Autodesk

Autodesk