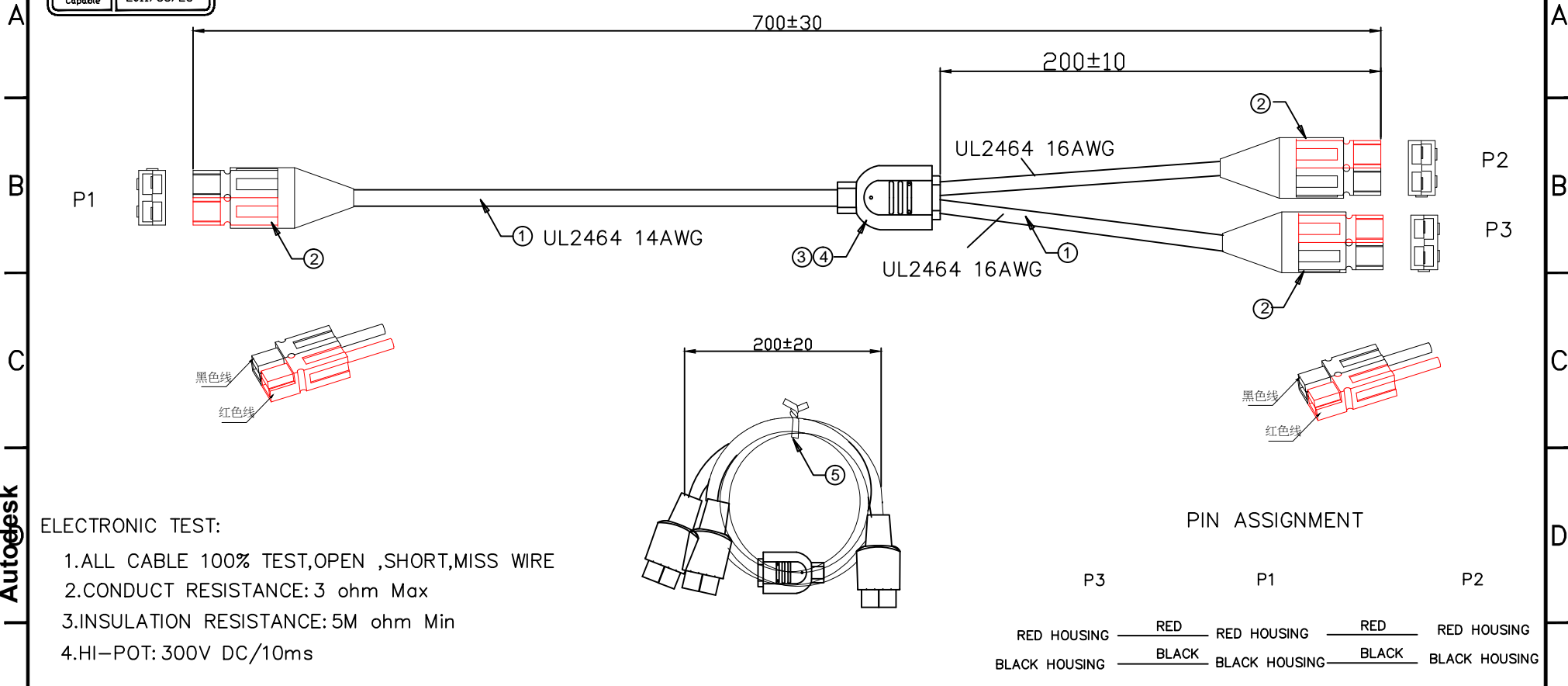
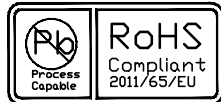


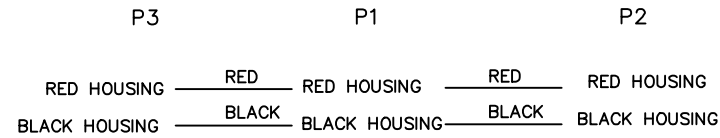
REV.	ECN. NO.	DESCRIPTION	APR.	DATE
1.0		FIRST RELEASE		2020.06.26



ELECTRONIC TEST:

- 1.ALL CABLE 100% TEST,OPEN ,SHORT,MISS WIRE
- 2.CONDUCT RESISTANCE:3 ohm Max
- 3.INSULATION RESISTANCE:5M ohm Min
- 4.HI-POT: 300V DC/10ms

PIN ASSIGNMENT



NO.	Material	Specification	QT'Y	UNIT
5	TIE	MINI TIE BLACK	1	PCS
4	OVERMOLD	45P Black PVC	A/R	G
3	INNERMOLD	LDPE	A/R	G
2	CONN	ANDERSON POWER 2P TERMINAL NICKELPlated,	3	SET
1	CABLE	UL2464 16AWG*2C PVC JACKET OD:6.0±0.2MM	A/R	MM
		UL2464 14AWG*2C PVC JACKET OD:7.5±0.2MM	A/R	MM

TOLERANCE UNLESS OTHERWISE SPECIFIED		东莞鸿威精密电子有限公司 Dongguan Hongwei Electronics CO.,LTD	
.X± 0.35	X.*± 1.5*	APR.	TITLE: ANDERSON TO ANDERSON*2 CABLE UNITS. MM
.XX± 0.25	.X*± 1.0*	CHK.	DWG NO. R026001 SHEET. 1 / 1
.XXX± 0.15	.XX*± 0.5*	DRA.	PROJ. CUSTOMER DRAWING
		SCALE. NO SHEET REV.1.0	

Autodesk

Autodesk