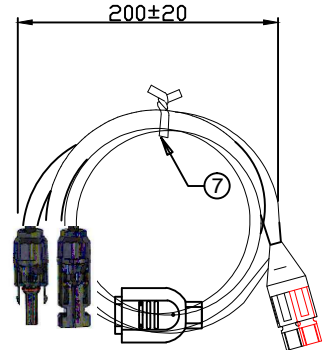
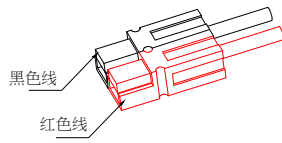
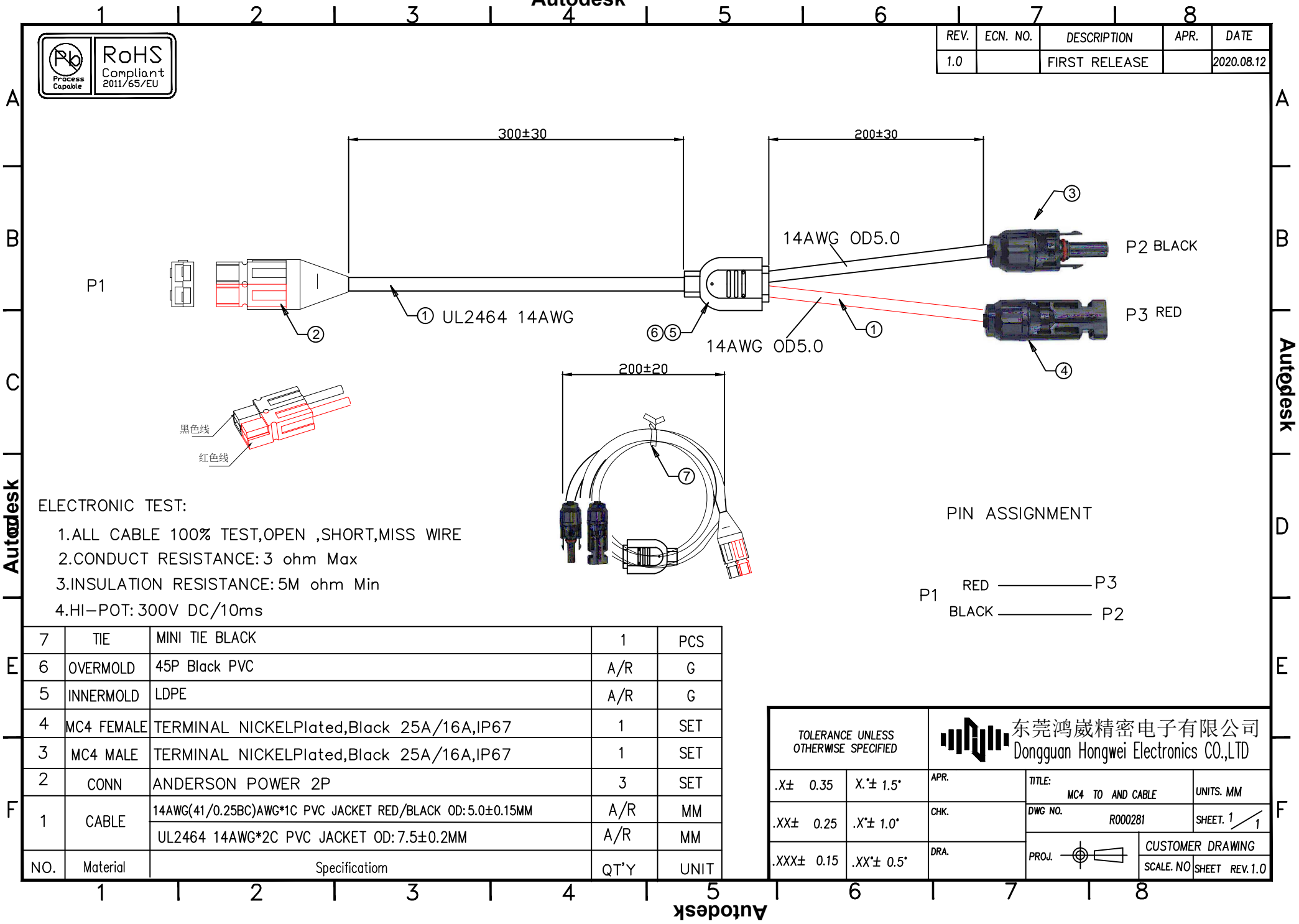




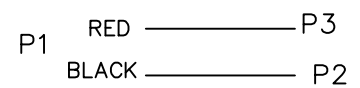
REV.	ECN. NO.	DESCRIPTION	APR.	DATE
1.0		FIRST RELEASE		2020.08.12



ELECTRONIC TEST:

- 1.ALL CABLE 100% TEST,OPEN ,SHORT,MISS WIRE
- 2.CONDUCT RESISTANCE: 3 ohm Max
- 3.INSULATION RESISTANCE: 5M ohm Min
- 4.HI-POT: 300V DC/10ms

PIN ASSIGNMENT



NO.	Material	Specification	QT'Y	UNIT
7	TIE	MINI TIE BLACK	1	PCS
6	OVERMOLD	45P Black PVC	A/R	G
5	INNERMOLD	LDPE	A/R	G
4	MC4 FEMALE	TERMINAL NICKELPlated,Black 25A/16A,IP67	1	SET
3	MC4 MALE	TERMINAL NICKELPlated,Black 25A/16A,IP67	1	SET
2	CONN	ANDERSON POWER 2P	3	SET
1	CABLE	14AWG(41/0.25BC)AWG*1C PVC JACKET RED/BLACK OD:5.0±0.15MM	A/R	MM
		UL2464 14AWG*2C PVC JACKET OD:7.5±0.2MM	A/R	MM

TOLERANCE UNLESS OTHERWISE SPECIFIED		东莞鸿崑精密电子有限公司 Dongguan Hongwei Electronics CO.,LTD		
.X± 0.35	X.*± 1.5*	APR.	TITLE: MC4 TO AND CABLE	UNITS. MM
.XX± 0.25	.X*± 1.0*	CHK.	DWG NO. R000281	SHEET. 1 / 1
.XXX± 0.15	.XX*± 0.5*	DRA.	PROJ.	CUSTOMER DRAWING SCALE. NO SHEET REV.1.0