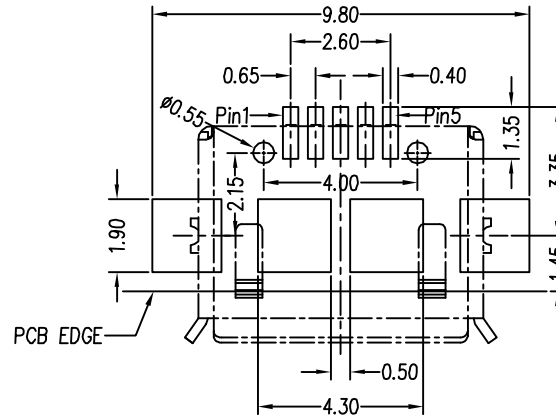
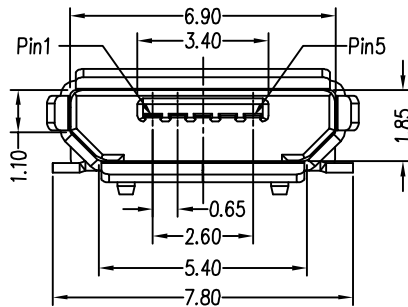
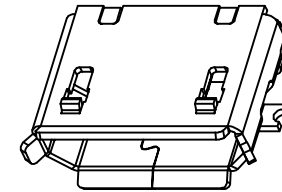
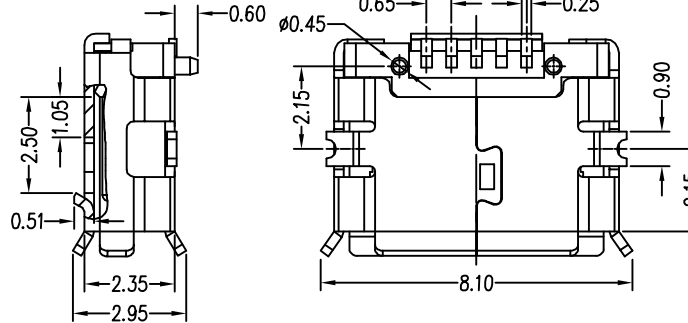
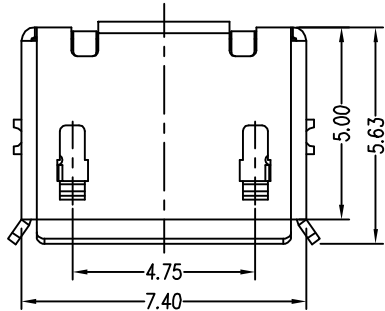
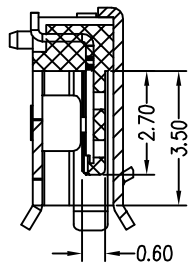
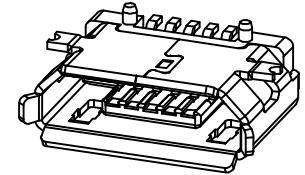
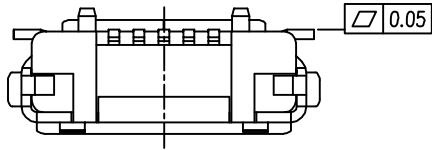


REV.	ECN NO	LOCATIONS	DESCRIPTION	DATE	REVSER	APPD



RECOMMENDED PCB LAYOUT

Note:

1.Material:

1.1 Housing: High temperature thermoplastic with g.f,UL94v-0

1.2 Contact: copper alloy,t=0.20mm

1.3 Shell: copper alloy,t=0.25mm

2.Specification:

2.1 Current rating: 1 A Max.

2.2 Dielectric withstanding voltage: 100 V(ac) for 1 min.

2.3 Contact resistance: 50 mΩ Max.

2.4 Insulation resistance: 100 MΩ Min.

2.5 Total mating force: 3.57 Kgf Max.

2.6 Total unmating force: 1.0 Kgf Min.0.81~2.05 Kgf Min.after 10000 insertion/extraction cycles

2.7 Temperature range: -30°C~80°C

Order Information:

1-MD05SMXXX-01

① ② ③ ④ ⑤ ⑥ ⑦ ⑧ ⑨

- | | | | |
|----------------|-----------|-------------------|------------------|
| 1: Assy. | 5: Style | 7: Cotact plating | 8: Shell plating |
| 2: Series No. | M: Smt | 1: 1u" | T: Tin |
| 3: Contact No. | 6: Color | 2: 3u" | N: Nickel |
| 05: 5 pos. | B: Black | 3: 5u" | A: Au plated all |
| 4: P: Plug | W: White | 4: 15u" | B: None |
| S: Socket | N: Nature | 5: 30u" | ... |

PART NO: 1-MD05SMXXX-01		MATERIAL: SEE NOTE
MODEL NO:		FINSH: SEE NOTE
UNIT: mm	SIZE: A4	COLOR: SEE NOTE
TOLERANCE UNSPECIFIED		DR: ???
.x	±0.38	CHK:
.xx	±0.25	APP:
.xxx	±0.13	DWG NO: A055
ANG.	±2°	SCALE: 1:1
		SHEET: 2009/04/21

No.	Name	Q'ty	Finish
3	Shell	1	N/A
2	Contact	5	N/A
1	Housing	1	N/A

东莞市鸿崑精密电子有限公司
Dongguan HongWei Electronic CO.,LTD

TITLE: Micro usb 5s B Type Smt有脚柱
CUSTOMER DRAWING

DWG NO: A055 REV: A

SCALE: 1:1 SHEET: 2009/04/21

