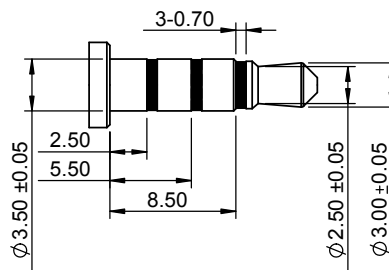
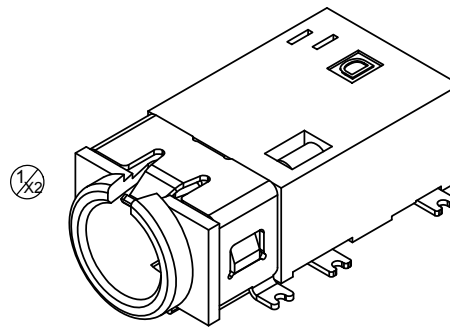
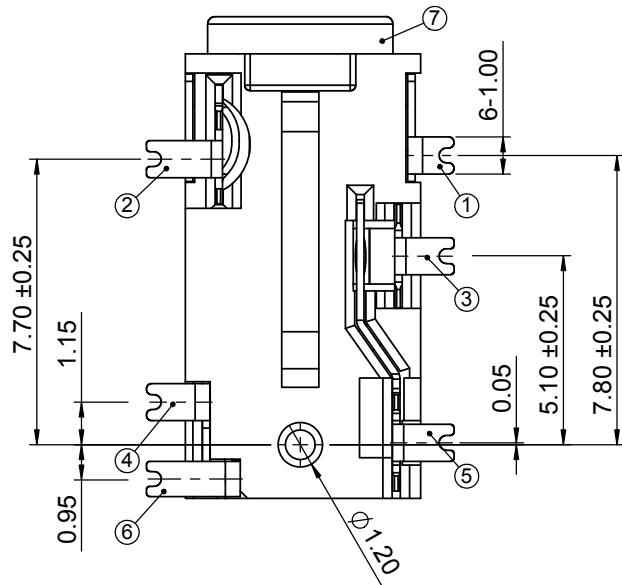


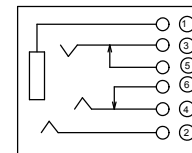
RECOMMENDED PCB LAYOUT(TOP VIEW)
(GENERAL TOLERANCE ±0.05)

NOTES:

- CONTACT CURRENT RATING: 1A.
- CONTACT RESISTANCE: 50 mΩ MAX.;
- INSULATION RESISTANCE: 100MΩ MIN.;
- DIELECTRIC WITHSTANDING: 500V AC MIN.;
- DURABILITY: 5,000 CYCLES MIN.;
- CONNECTOR MATING FORCES:
29.4N (3.00Kgf) MAX.;
- CONNECTOR UNMATING FORCES:
2.94N(0.30Kgf) MIN.;



Ø3.50mm 4 POLE PLUG
DETAIL DRAWING(2:1)



SCHMATIC

NO.	DESCRIPTION	MAT,L	COLOR	REMARK
7	HOUSING	HIGH TEMP	BLACK	—————
6	TERMINAL 6	COPPER ALLOY	—————	Au PLATED
5	TERMINAL 5	COPPER ALLOY	—————	Au PLATED
4	TERMINAL 4	COPPER ALLOY	—————	Au PLATED
3	TERMINAL 3	COPPER ALLOY	—————	Au PLATED
2	TERMINAL 2	COPPER ALLOY	—————	Au PLATED
1	TERMINAL 1	COPPER ALLOY	—————	Au PLATED

东莞市鸿威精密电子有限公司
Dongguan HongWei Electronic CO.,LTD

TITLE: Ø3.50 mm PHONE JACK CONNECTOR

PART NO. HW-PJ-303-00Y

PRODUCT SPEC. RD-W06

FILE NAME.

SCALE 5:1 UNIT:mm A4 SHEET: 1 of 2

ECN NO.	REV	DATE	DESCRIPTION	CHANGE	APPRO.	GENERAL TOLERANCE UNLESS OTHERWISE NOTED	APPRO.	DATE
JH2012-050	X2	11/19/12	X21:1号脚端子设变结构	梁碧华	罗志兵	Angle ±2° X ±0.35 .X ±0.25 .XX ±0.20	DESIGN	梁碧华 11/19/12
	X1	11/07/12	新版发行				CHECK	谭艳斌 11/19/12
							APPRO.	罗志兵 11/19/12