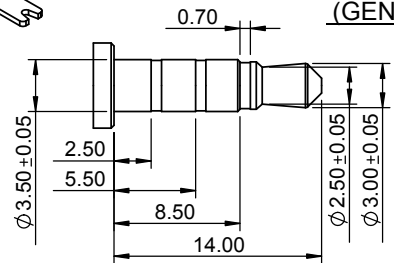
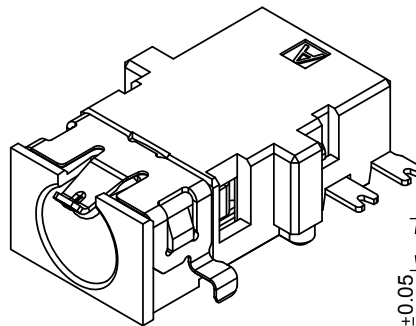
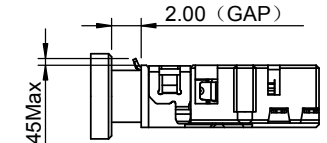


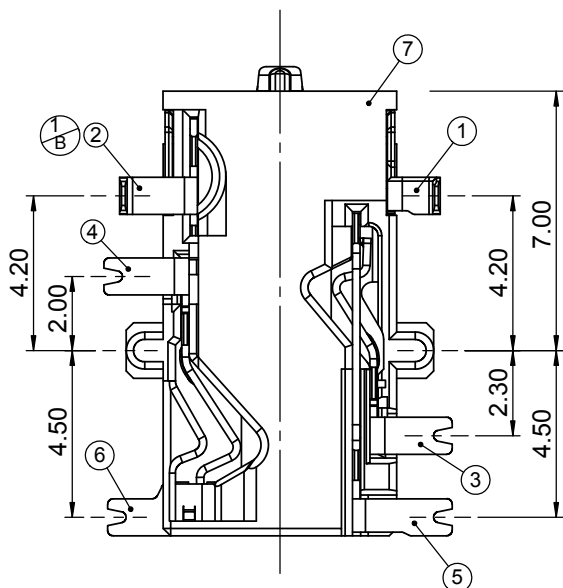
RECOMMENDED PCB LAYOUT(TOP VIEW)
(GENERAL TOLERANCE ±0.05)



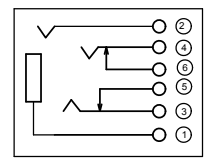
Ø3.50mm 4 POLE PLUG
DETAIL DRAWING(2:1)



Product application:
The spring working position
when Plug-In.



- NOTES:
 1. CONTACT CURRENT RATING: 1A.
 2. CONTACT RESISTANCE: 50 mΩ MAX.;
 3. INSULATION RESISTANCE: 100MΩ MIN.;
 4. DIELECTRIC WITHSTANDING: 500V AC MIN.;
 5. DURABILITY: 5,000 CYCLES MIN.;
 6. CONNECTOR MATING FORCES:
 29.4N (3.00Kgf) MAX.;
 7. CONNECTOR UNMATING FORCES:
 2.94N(0.30Kgf) MIN.;



SCHEMATIC

7	HOUSING	HIGH TEMP	BLACK	
6	TERMINAL 6	COPPER ALLOY		Au PLATED
5	TERMINAL 5	COPPER ALLOY		Au PLATED
4	TERMINAL 4	COPPER ALLOY		Au PLATED
3	TERMINAL 3	COPPER ALLOY		Au PLATED
2	TERMINAL 2	COPPER ALLOY		Au PLATED
1	TERMINAL 1	COPPER ALLOY		Au PLATED
NO.	DESCRIPTION	MAT,L	COLOR	REMARK

东莞市鸿威精密电子有限公司
Dongguan HongWei Electronic CO.,LTD

TITLE:	Ø3.50 mm PHONE JACK CONNECTOR			
PART NO.	HW-PJ-304-00K			
PRODUCT SPEC.	RD-W06			
FILE NAME.				
SCALE	5:1	UNIT:mm	A4	SHEET: 1 of 1

ECN NO.	REV	DATE	DESCRIPTION	CHANGE	APPRO.	Angle ±2° X ±0.35 .X ±0.25 .XX ±0.20	DESIGN	Josun	03/28/14
	A	03/28/14	NEW				CHECK	Josun	03/28/14
						GENERAL TOLERANCE UNLESS OTHERWISE NOTED	APPRO.	Josun	03/28/14