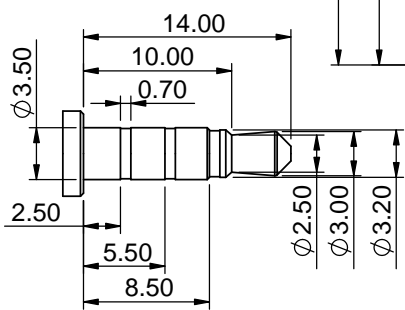
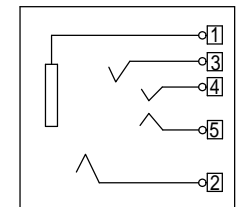


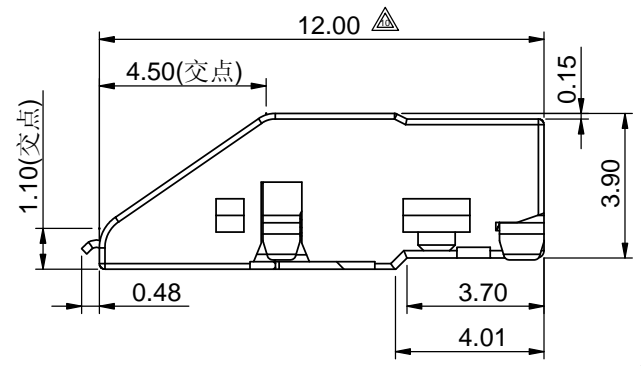
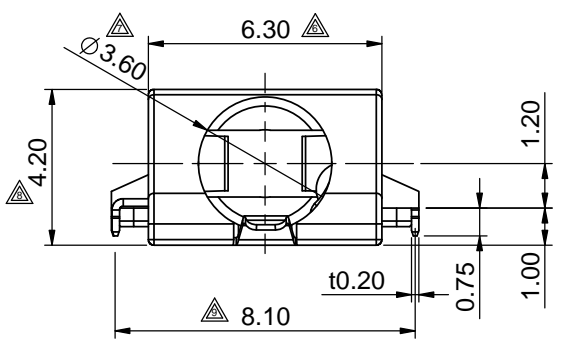
RECOMMENDED PCB LAYOUT(TOP VIEW)
(GENERAL TOLERANCE ±0.05)



∅3.50mm 4 POLE PLUG
DETAIL DRAWING(2:1)



SCHEMATIC



5	HOUSING	HIGH TEMP	BLACK	
4	TERMINAL 4	COPPER ALLOY		Au PLATED
3	TERMINAL 3	COPPER ALLOY		Au PLATED
2	TERMINAL 2	COPPER ALLOY		Au PLATED
1	TERMINAL 1	COPPER ALLOY		Au PLATED
NO.	DESCRIPTION	MAT.L	COLOR	REMARK

东莞市鸿威精密电子有限公司
Dongguan HongWei Electronic CO.,LTD

TITLE:	∅3.50mm PHONE JACK CONN.		
PART NO.	HW-PJ-301-007		
PRODUCT SPEC.	RD-W06		
FILE NAME.	J301		
SCALE	5:1	UNIT:mm	A4
			SHEET: 1 of 2

JH2013-002	B	01/15/13	B1:变更结构	彭志况	罗志兵	Angle ±2°	DESIGN	彭志况	01/15/13
	A	07/31/12	NEW			X ±0.50	CHECK	谭艳斌	01/15/13
ECN NO.	REV	DATE	DESCRIPTION	CHANGE	APPRO.	.X ±0.30	APPRO.	罗志兵	01/15/13
						.XX ±0.15			
						GENERAL TOLERANCE UNLESS OTHERWISE NOTED			