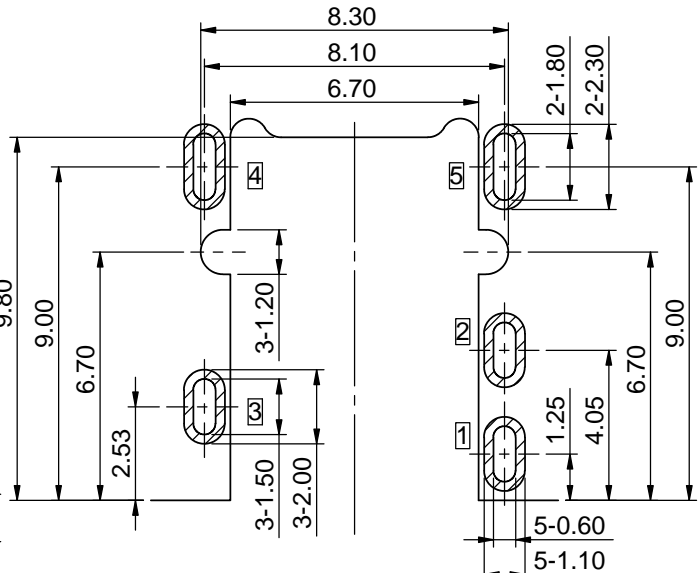
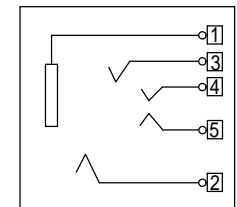


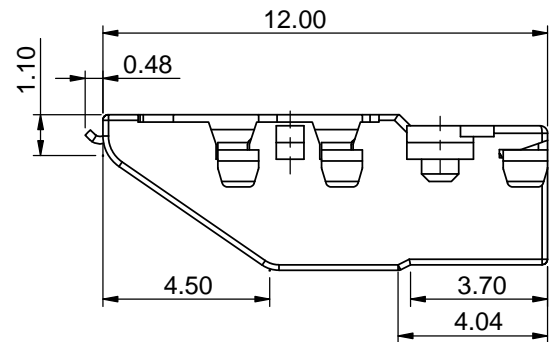
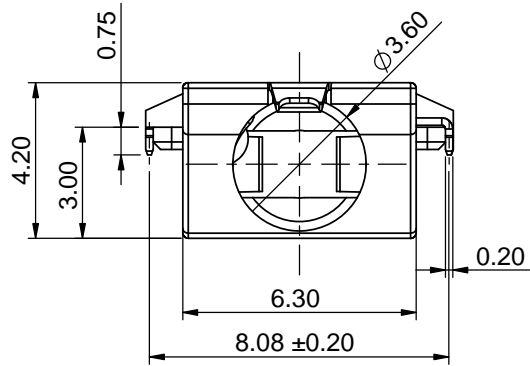
Ø3.50mm 4 POLE PLUG
DETAIL DRAWING(2:1)



RECOMMENDED PCB LAYOUT(TOP VIEW)
(GENERAL TOLERANCE ±0.05)



SCHEMATIC



NO.	DESCRIPTION	MAT,L	COLOR	REMARK
5	HOUSING	HIGH TEMP	BLACK	
4	TERMINAL 4	COPPER ALLOY		Au PLATED
3	TERMINAL 3	COPPER ALLOY		Au PLATED
2	TERMINAL 2	COPPER ALLOY		Au PLATED
1	TERMINAL 1	COPPER ALLOY		Au PLATED

东莞市鸿威精密电子有限公司
Dongguan HongWei Electronic CO.,LTD

TITLE: Ø3.50mm PHONE JACK CONN.

PART NO. HW-PJ-301-008

PRODUCT SPEC. RD-W06

FILE NAME.

SCALE 5:1 UNIT:mm A4 SHEET: 1 of 2

ECN NO.	REV	DATE	DESCRIPTION	CHANGE	APPRO.	GENERAL TOLERANCE UNLESS OTHERWISE NOTED	DESIGN	CHECK	APPRO.
JH2013-002	B	01/15/'13	B1:变更结构	彭志况	罗志兵	Angle ±2° X ±0.35 .X ±0.25 .XX ±0.20	彭志况	谭艳斌	罗志兵
	A	07/31/'12	NEW						