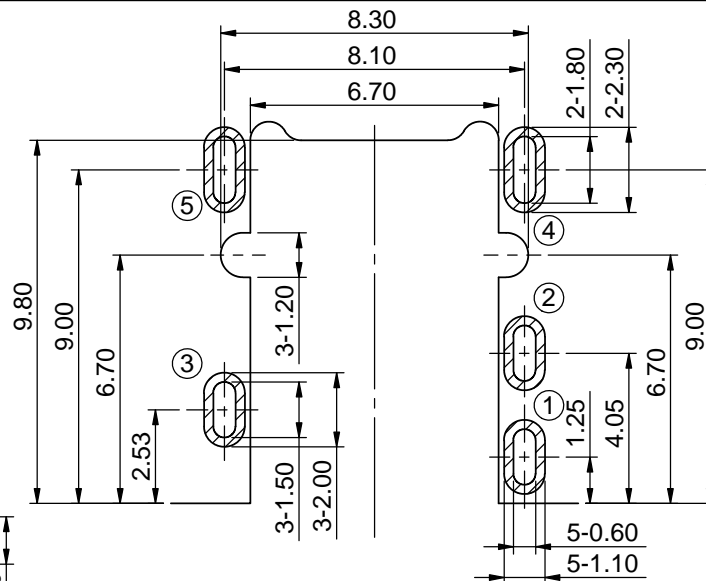
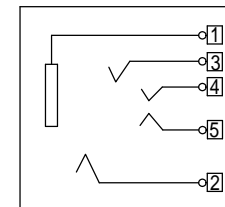


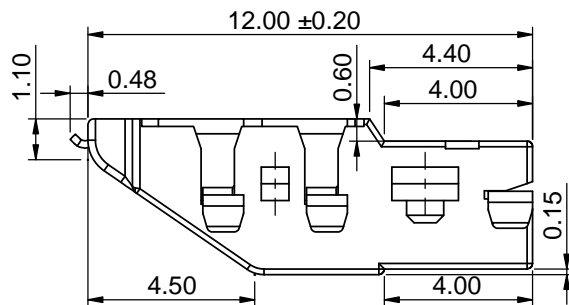
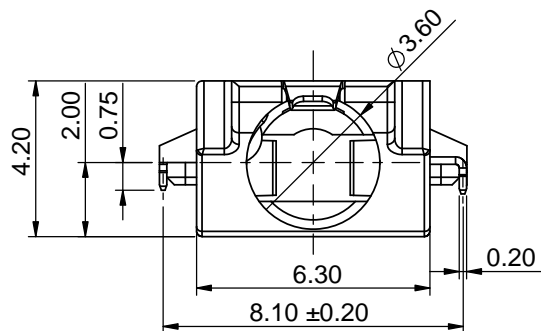
Ø3.50mm 4 POLE PLUG
DETAIL DRAWING(2:1)



RECOMMENDED PCB LAYOUT(TOP VIEW)
(GENERAL TOLERANCE ±0.05)



SCHEMATIC



NO.	DESCRIPTION	MAT,L	COLOR	REMARK
6	HOUSING	HIGH TEMP	BLACK	
5	TERMINAL 5	COPPER ALLOY		Au PLATED
4	TERMINAL 4	COPPER ALLOY		Au PLATED
3	TERMINAL 3	COPPER ALLOY		Au PLATED
2	TERMINAL 2	COPPER ALLOY		Au PLATED
1	TERMINAL 1	COPPER ALLOY		Au PLATED

东莞市鸿威精密电子有限公司
Dongguan HongWei Electronic CO.,LTD

TITLE: Ø3.50mm PHONE JACK CONN.

PART NO. HW-PJ-301-00M

PRODUCT SPEC. RD-W06

FILE NAME.

SCALE 5:1 UNIT:mm A4 SHEET: 1 of 2

ECN NO.	REV	DATE	DESCRIPTION	CHANGE	APPRO.	GENERAL TOLERANCE UNLESS OTHERWISE NOTED	DESIGN	CHECK	APPRO.
	X1	04/05/'13	NEW			Angle ±2° X ±0.35 .X ±0.25 .XX ±0.20	彭志况	谭艳斌	罗志兵
							04/05/13	04/05/13	04/05/13