

- NOTES:
- CONTACT CURRENT RATING: 1A.
 - CONTACT RESISTANCE: 50 mΩ MAX.;
 - INSULATION RESISTANCE: 1000Ω MIN.;
 - DIELECTRIC WITHSTANDING: 500V AC MIN.;
 - DURABILITY: 5,000 CYCLES MIN.;
 - CONNECTOR MATING FORCES: 29.4N (3.00KgF) MAX.;
 - CONNECTOR UNMATING FORCES: 2.94N(0.30KgF) MIN.;
 - PRODUCT MEET THE REQUEST OF THE RoHs, SEE TABLE A:

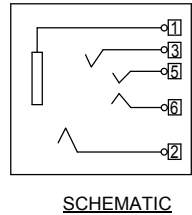
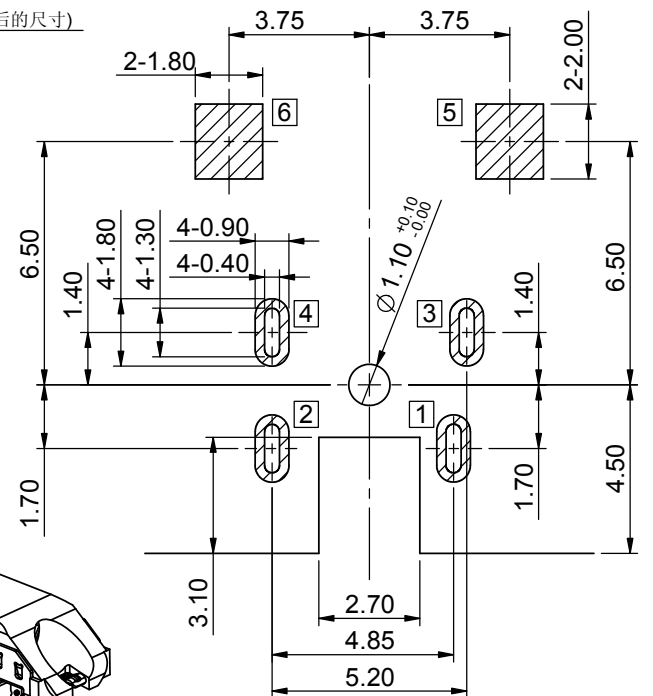
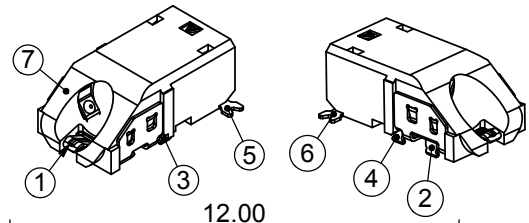
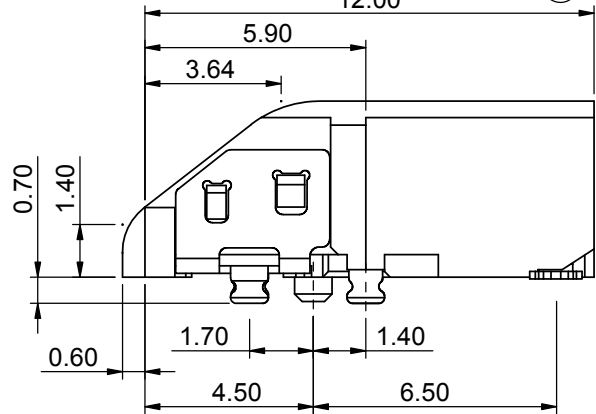
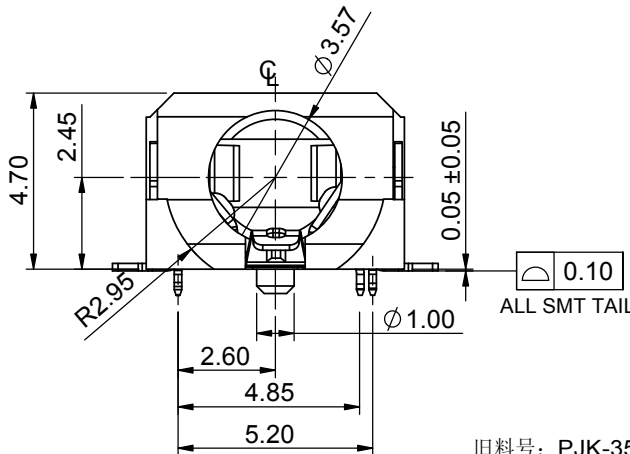


TABLE A:

MATTER	RoHs(ppm)
Cd	≤100
Pb	≤1000
Hg	≤1000
Cr 6+	≤1000
PBB	≤1000
PBDE	≤1000



RECOMMENDED PCB LAYOUT(TOP VIEW)
(GENERAL TOLERANCE ±0.05)



NO.	DESCRIPTION	MAT,L	COLOR	REMARK
7	HOUSING	HIGH TEMP	BLACK	———
6	TERMINAL6	COPPER ALLOY	———	Au PLATING
5	TERMINAL5	COPPER ALLOY	———	Au PLATING
4	TERMINAL4	COPPER ALLOY	———	Au PLATING
3	TERMINAL3	COPPER ALLOY	———	Au PLATING
2	TERMINAL2	COPPER ALLOY	———	Au PLATING
1	TERMINAL1	COPPER ALLOY	———	Au PLATING

东莞市鸿威精密电子有限公司
Dongguan HongWei Electronic CO.,LTD

CUSTOMER COPY TITLE: PHONE JACK CONN.

PART NO. HW-PJ-302-001B

PRODUCT SPEC. RD-W06

C FILE NAME.

SCALE 5:1 UNIT:mm A4 SHEET: 1 of 2

旧料号: PJK-3598四插; 新料号: J302-T06G1-1ZL2

ECN NO.	REV	DATE	DESCRIPTION	CHANGE	APPRO.	GENERAL TOLERANCE UNLESS OTHERWISE NOTED	DESIGN	DATE
JH2012-051	C	11/15/12	C/1:变更结构6.70----->6.90	彭志况	罗志兵	Angle ±2° X ±0.35 .XX ±0.25	彭志况	11/15/12
JH2012-004	B	06/12/12	B/1:制程改善, B/2: 更换图框	梁碧华	罗志兵	.XX ±0.20	谭艳斌	11/15/12
							罗志兵	11/15/12