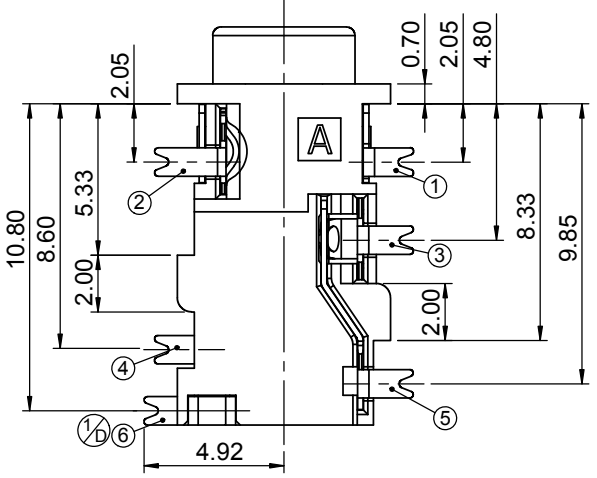
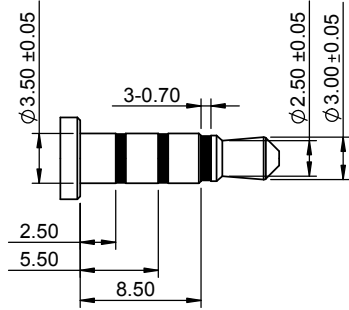
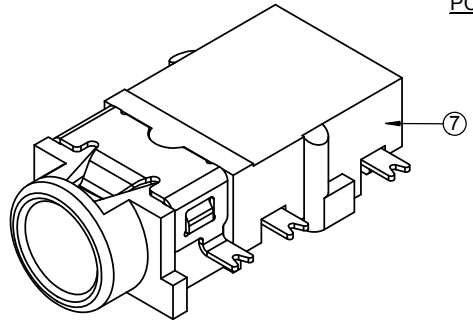


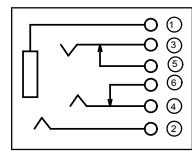
RECOMMENDED PCB LAYOUT(TOP VIEW)
(GENERAL TOLERANCE ±0.05)



- NOTES:
 1. CONTACT CURRENT RATING: 1A.
 2. CONTACT RESISTANCE: 50 mΩ MAX.;
 3. INSULATION RESISTANCE: 100MΩ MIN.;
 4. DIELECTRIC WITHSTANDING: 500V AC MIN.;
 5. DURABILITY: 5,000 CYCLES MIN.;
 6. CONNECTOR MATING FORCES:
 29.4N (3.00Kgf) MAX.;
 7. CONNECTOR UNMATING FORCES:
 2.94N(0.30Kgf) MIN.;



∅3.50mm 4 POLE PLUG
DETAIL DRAWING(2:1)



SCHEMATIC

| NO. | DESCRIPTION | MAT.L | COLOR | REMARK |
|-----|-------------|--------------|-------|-----------------|
| 7 | HOUSING | HIGH TEMP | BLACK | |
| 6 | TERMINAL 6 | COPPER ALLOY | | GOLD PLATED/TIN |
| 5 | TERMINAL 5 | COPPER ALLOY | | GOLD PLATED/TIN |
| 4 | TERMINAL 4 | COPPER ALLOY | | GOLD PLATED/TIN |
| 3 | TERMINAL 3 | COPPER ALLOY | | GOLD PLATED/TIN |
| 2 | TERMINAL 2 | COPPER ALLOY | | GOLD PLATED/TIN |
| 1 | TERMINAL 1 | COPPER ALLOY | | GOLD PLATED/TIN |

东莞市鸿威精密电子有限公司
Dongguan HongWei Electronic CO.,LTD

CUSTOMER COPY TITLE: ∅3.50 mm PHONE JACK CONNECTOR

PART NO. HW-PJ-303-00N

PRODUCT SPEC. RD-W06

D ING FILE NAME.

SCALE 4:1 UNIT:mm A4 SHEET: 1 of 2

旧料号: PJK-311S-C改新料号: J303-B06G1-NZL2



| ECN NO. | REV | DATE | DESCRIPTION | CHANGE | APPRO. | GENERAL TOLERANCE UNLESS OTHERWISE NOTED | DESIGN | CHECK | APPRO. |
|-------------|-----|-----------|-------------|--------|--------|--|--------|-------|--------|
| JH2012-0419 | D | 11/26/'12 | C1:图面规范化 | 梁碧华 | 罗志兵 | Angle ±2° | 梁碧华 | 谭艳斌 | 罗志兵 |
| JH2012-041 | C | 10/18/'12 | C1:图面规范化 | 彭志况 | 罗志兵 | X ±0.30 | | | |
| JH2012-029 | B | 09/18/'12 | B1:变更图面及料号 | 彭志况 | 罗志兵 | .X ±0.25 | | | |
| | | | | | | .XX ±0.20 | | | |