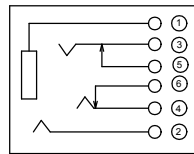
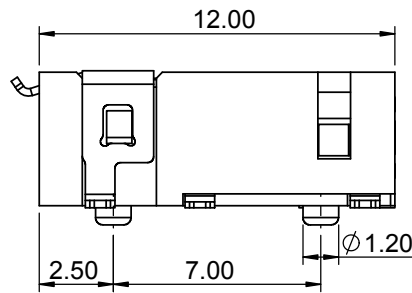
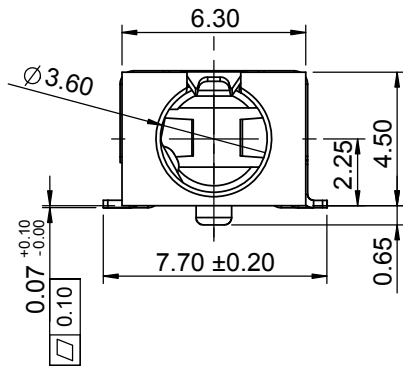
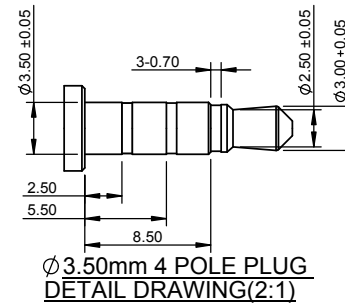


RECOMMENDED PCB LAYOUT(TOP VIEW)
(GENERAL TOLERANCE ±0.05)



SCHMATIC



Ø3.50mm 4 POLE PLUG
DETAIL DRAWING(2:1)

NOTES:

1. CONTACT CURRENT RATING: 1A.
2. CONTACT RESISTANCE: 50 mΩ MAX.;
3. INSULATION RESISTANCE: 100MΩ MIN.;
4. DIELECTRIC WITHSTANDING: 500V AC MIN.;
5. DURABILITY: 5,000 CYCLES MIN.;
6. CONNECTOR MATING FORCES:
29.4N (3.00Kgf) MAX.;
7. CONNECTOR UNMATING FORCES:
2.94N(0.30Kgf) MIN.

旧料号:PJK-323S-W ; 新料号:J305B06G12ZL2 (1/2)

7	HOUSING	HIGH TEMP	BLACK	——
6	TERMINAL 6	COPPER ALLOY	——	Au PLATED
5	TERMINAL 5	COPPER ALLOY	——	Au PLATED
4	TERMINAL 4	COPPER ALLOY	——	Au PLATED
3	TERMINAL 3	COPPER ALLOY	——	Au PLATED
2	TERMINAL 2	COPPER ALLOY	——	Au PLATED
1	TERMINAL 1	COPPER ALLOY	——	Au PLATED
NO.	DESCRIPTION	MAT,L	COLOR	REMARK

东莞市鸿威精密电子有限公司
Dongguan HongWei Electronic CO.,LTD
CUSTOMER COPY TITLE: Ø3.50 mm PHONE JACK CONNECTOR

PART NO.		HW-PJ-305-002	
PRODUCT SPEC.		RD-W06	
D	FILE NAME.		
ING	SCALE	4:1	UNIT:mm A4 SHEET: 1 of 2

					Angle ±2°	DESIGN	彭志况	09/15/12'	
					X ±0.35	CHECK	谭艳斌	09/15/12'	
JH2012-028	B	09/15/12'	B1:新发行图面	彭志况 罗志兵	.X ±0.25	APPRO.	罗志兵	09/15/12'	
ECN NO.	REV	DATE	DESCRIPTION	CHANGE	APPRO.	GENERAL TOLERANCE UNLESS OTHERWISE NOTED			
						.XX ±0.20			