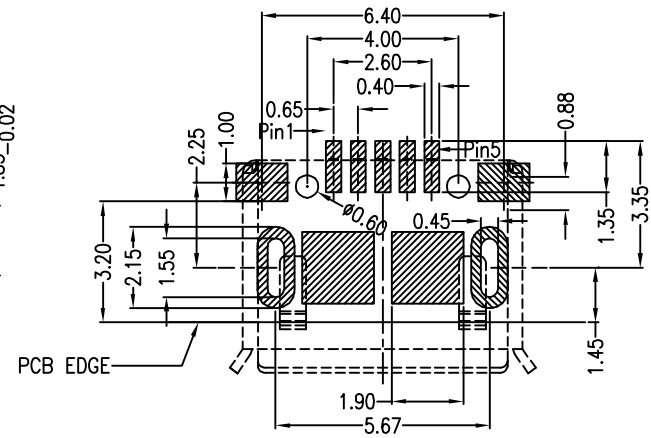
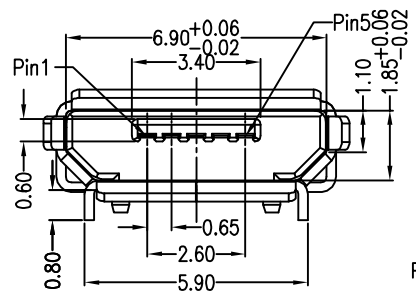
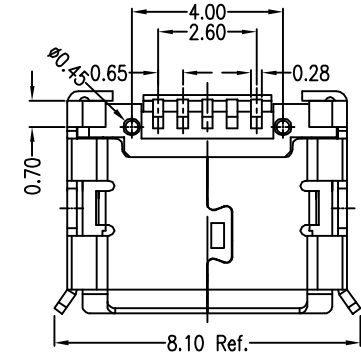
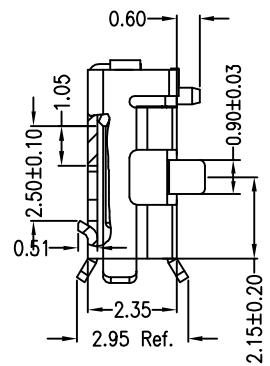
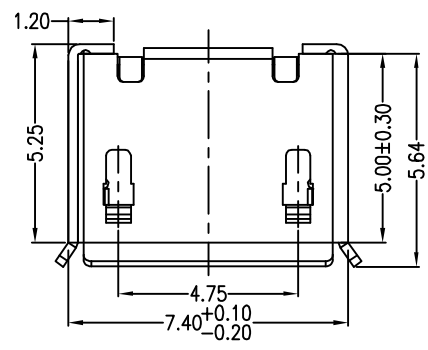
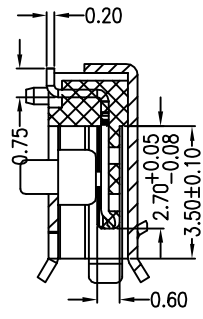
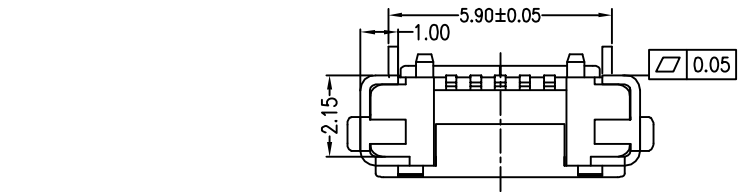


REV.	ECN NO	LOCATIONS	DESCRIPTION	DATE

A  
B  
C  
D  
E  
F

A  
B  
C  
D  
E  
F



RECOMMENDED PCB LAYOUT

- Note:
- Material:
    - Housing: High temperature thermoplastic with g.f,UL94v-0
    - Contact: copper alloy,t=0.20mm
    - Shell: copper alloy,t=0.25mm
  - Specification:
    - Current rating: 1 A Max.
    - Dielectric withstanding voltage: 100 V(ac) for 1 min.
    - Contact resistance: 50 mW Max.
    - Insulation resistance: 100 MW Min.
    - Total mating force: 3.57 Kgf Max.
    - Total unmating force: 1.0 Kgf Min.0.81~2.05 Kgf Min.after 10000 insertion/extraction cycles
    - Temperature range: -30°C~80°C

PART NO: HW-MUSBF-001-005		MATERIAL: SEE NOTE		东莞市鸿巍精密电子有限公司 Dongguan HongWei Electronic CO.,LTD	
MODEL NO: XX		FINSH: SEE NOTE			
UNIT: MM	SIZE: A4	COLOR: SEE NOTE		TITLE: Micro usb 5s B Type Smt 有焊脚插板5.9有柱	
TOLERANCE UNSPECIFIED		DR:		DWG NO: A037	
.x	0.25	CHK:		REV: A	
.xx	0.20	APP:		SCALE: 5:1	
.xxx	0.1	DATE: 2012.05.21		DATE: 2012.05.21	
Ang.	2°	DATE: 2012.05.21		DATE: 2012.05.21	

