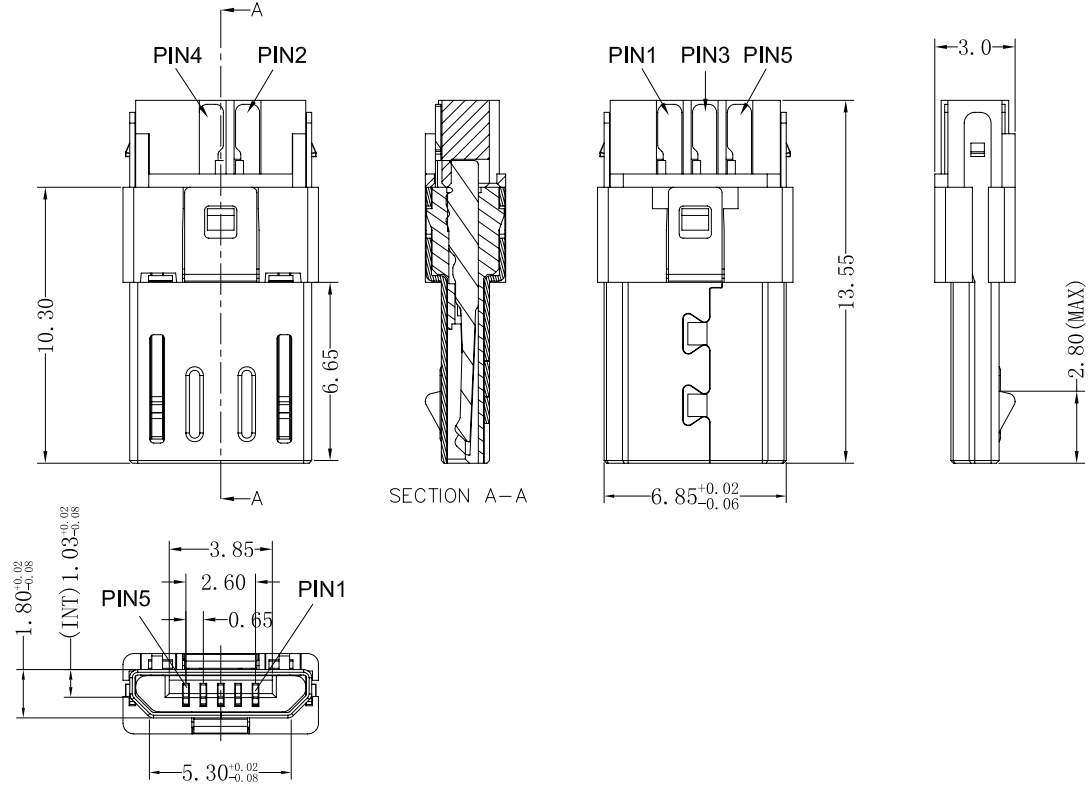


6	7	8
ITEM	MODIFICATION	DATE
△	新发行	2011-05-09
△	减小卡勾槽尺寸	2012-03-06
DRAW	魏明君	田军华
APPROVE	袁腾武	



SECTION A-A

NOTES:  
 1.MECHANICAL:  
 MATING FORCE: 35N MAX.  
 UNMATING FORCE: 10N MIN,INITIAL.  
 8~20N AFTER 10000 CYCLES.  
 DURABILITY: 10000 CYCLES MIN.  
 2.ELECTRICAL:  
 CURRENT: 1.0A  
 VOLTAGE: 30V MAX  
 WITHSTANDING VOLTAGE: 100V AC  
 CONTACT RESISTANCE: 30 mΩ MAX INITIAL;  
 40 mΩ MAX AFTER  
 10000 CYCLES  
 3.ENVIRONMENTAL  
 OPERATING TEMPERATURE RANGE -30°C ~  
 +80°C  
 4. SALT SPRAY : 24H AT 35%DC WITH  
 5%-SALT-SOLUTION CONCENTRATION.

TOLERANCE UNLESS OTHERWISE SPECIFIED	
X.±0.35	X.±5°
X.X±0.25	X.X±3°
X.XX±0.15	X.XX±2°

PROJ.	<h2 style="text-align: center;">东莞市鸿威精密电子有限公司</h2> <h3 style="text-align: center;">Dongguan HongWei Electronic CO.,LTD</h3>			
DIMENSION STYLE	MM ONLY			
DESIGN UNITY	METRIC			
MAJOR	▼=5	DRAWN BY	DATE	TITLE
SCALE	1:1	魏明君	2011/04/18	MICRO 5P MALE超薄前五后五
CHECKED BY	DATE	APPROVED BY	DATE	PART NO.
田军华	2011/04/18	田军华	2011/04/18	HW-MUSBM-002-002
MOLD NO.	DWG-MICRO 5M-014	SHEET NO.	1 OF 1	
C	REV.	AO		